

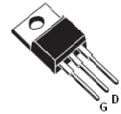
550V N-Channel Super Junction power MOSFET

DESCRIPTION

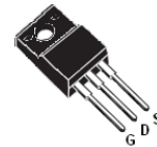
SJ MOSFET is an advanced technology for high voltage power MOSFETs, designed according to the super junction principle by Xinyuan semiconductor. The offered devices provide all benefits of a fast switching and low on resistance, making it especially suitable for applications which require more efficient, more compact, LED Lighting, High Performance Adapter etc.

V_{DS}	550	V
$R_{DS(ON)}$	580	m Ω
I_D	8	A

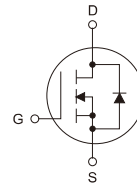
TO-220



TO-220F



TO-252



Features

- Extremely low losses due to very low $R_{dson} * Q_g$
- Superior Avalanche Rugged Technology
- Fast switching capability
- 100% Avalanche Tested
- Pb-free lead plating; ROHS compliant

APPLICATIONS

- Power factor correction (PFC)
- Switched mode power supplies (SMPS)
- Uninterruptible Power Supply (UPS)
- High Performance Adapter
- LED Lighting Power

ORDERING INFORMATION

Temperature Range	Package		Orderable Device	Package Qty.
-55°C ~ +125°C	TO-220	Pb-Free	CWS55R580AC	50 PCS/Tube
	TO-220F		CWS55R580AF	50 PCS/Tube
	TO-252		CWS55R580ADR	2500 PCS/ R&T



ABSOLUTE MAXIMUM RATINGS

($T_j=25^{\circ}\text{C}$, unless otherwise noted)

Parameter	Symbol	Value	Unit
Drain-Source Voltage ($V_{GS}=0\text{V}$)	V_{DSS}	550	V
Gate-Source Voltage ($V_{DS}=0\text{V}$, static)	V_{GS}	± 30	V
Continuous Drain Current ($T_C=25^{\circ}\text{C}$)(Note 1)	$I_{D(DC)}$	8	A
Continuous Drain Current ($T_C=100^{\circ}\text{C}$) (Note 1)	$I_{D(DC)}$	5	A
Pulsed Drain Current (Note 2)	I_{DM}	24	A
MOSFET dv/dt ruggedness, $V_{DS}\leq 480\text{V}$	dv/dt	50	V/nS
Single Pulsed Avalanche Energy (Note 3)	E_{AS}	120	mJ
Avalanche Energy, Repetitive (Note 1)	E_{AR}	0.15	mJ
Avalanche Current, Repetitive (Note 1)	I_{AR}	1.5	A
Maximum Power Dissipation ($T_C=25^{\circ}\text{C}$)	P_D	TO-220: 96 TO-220F: 33 TO-247: 130	W
Operating, Storage Temperature Range	T_J, T_{STG}	-55~150	$^{\circ}\text{C}$

THERMAL CHARACTERISTICS

Parameter	Symbol	Min.	Typ.	Max.	Units
Thermal Resistance, Junction-to-Case	R_{thJC}	-	-	TO-220: 1.3 TO-220F: 3.75 TO-247: 0.96	$^{\circ}\text{C}/\text{W}$
Thermal Resistance, Junction-to-Ambient	R_{thJA}	-	-	TO-220: 62 TO-220F: 80 TO-247: 57	$^{\circ}\text{C}/\text{W}$

ELECTRICAL CHARACTERISTICS

($T_j = 25^{\circ}\text{C}$, unless otherwise noted)

Parameter	Symbol	Test Conditions	Min.	TYP.	Max.	Unit
Drain-Source Breakdown Voltage	BV_{DSS}	$V_{GS}=0\text{V}, I_D=250\mu\text{A}$	550	-	-	V
Zero Gate Voltage Drain Current	I_{DSS}	$V_{DS}=550\text{V}, V_{GS}=0\text{V}$	-	-	1	μA
Gate-Source Leakage Current	I_{GSS}	$V_{GS}=\pm 30\text{V}, V_{DS}=0\text{V}$	-	-	± 100	nA
Gate Threshold Voltage	$V_{GS(th)}$	$V_{DS}=V_{GS}, I_D=250\mu\text{A}$	2.5	3.0	3.5	V
Drain-Source On-state Resistance	$R_{DS(on)}$	$V_{GS}=10\text{V}, I_D=4\text{A}$	-	0.53	0.58	Ω
Gate Resistance	R_g	F=1MHZ, open drain	-	11.7	-	Ω



Dynamic Characteristics

($T_j = 25^\circ\text{C}$, unless otherwise noted)

Parameter	Symbol	Test Conditions	Min.	Typ.	Max.	Units
Input capacitance	C_{iss}	$V_{DS}=100\text{V}, V_{GS}=0\text{V},$ $f=1\text{MHz}$	-	391	-	pF
Output capacitance	C_{oss}		-	21.1	-	
Reverse transfer capacitance	C_{riss}		-	2.1	-	
Turn-on delay Time	$t_{d(on)}$	$V_{DD}=420\text{V}, I_D=4\text{A}$ $R_G=10\Omega, V_{GS}=10\text{V}$	-	16.5	-	ns
Rise time	t_r		-	9.0		
Turn-off delay time	$t_{d(off)}$		-	37		
Fall time	t_f		-	9.1		

Gate charge characteristics

($T_j = 25^\circ\text{C}$, unless otherwise noted)

Parameter	Symbol	Test Conditions	Min.	Typ.	Max.	Units
Gate to Source Charge	Q_{gs}	$V_{DD}=420\text{V}, I_D=8\text{A}$ $V_{GS}=0$ to 10V	-	2.1	-	nC
Gate to Drain Charge	Q_{gd}		-	2.8	-	
Gate Charge Total	Q_g		-	8.9	-	
Gate Plateau Voltage	$V_{plateau}$		-	4.4	-	V

Reverse diode characteristics

($T_j = 25^\circ\text{C}$, unless otherwise noted)

Parameter	Symbol	Test Conditions	Min.	Typ.	Max.	Units
Body Diode Forward Voltage	V_{SD}	$V_{GS}=0\text{V}, I_{SD}=8\text{A}$	-	0.9	-	V
Reverse Recovery Time	t_{rr}	$V_R=420\text{V}, I_F=8\text{A}$ $di_F/dt=100\text{A}/\mu\text{s}$	-	215	-	nS
Reverse Recovery Charge	Q_{rr}		-	2.2	-	μC
Peak Reverse Recovery Current	I_{rrm}		-	17.1	-	A

Notes:

- Limited by maximum junction temperature;
- Pulse width limited by maximum junction temperature;
- $I_{AS} = 4\text{ A}$, $V_{DD} = 50\text{ V}$, $R_G = 25\ \Omega$, Starting $T_j = 25^\circ\text{C}$.



Electrical Characteristics Diagrams

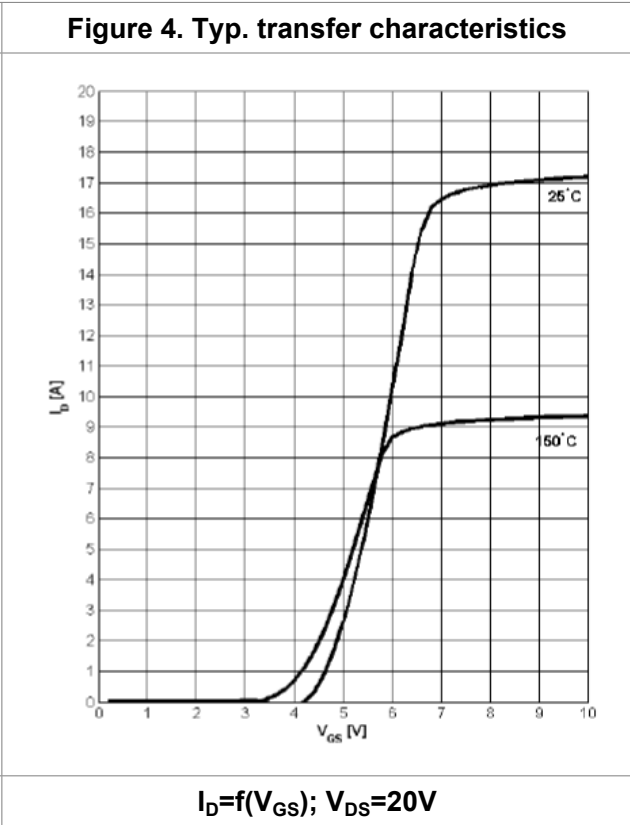
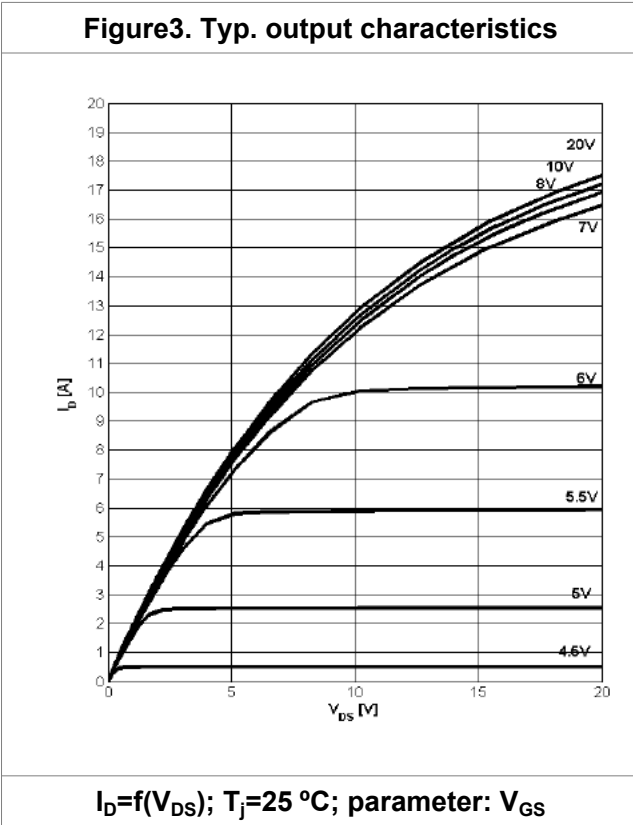
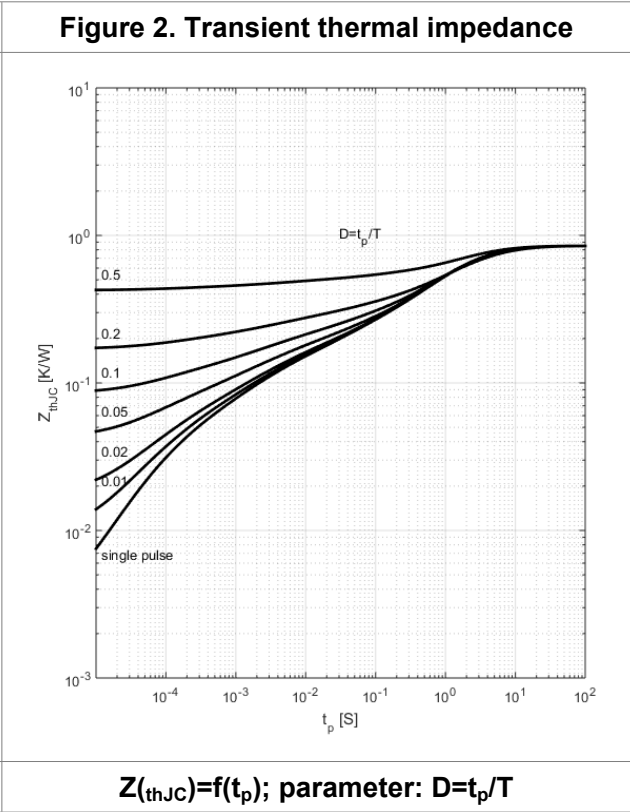
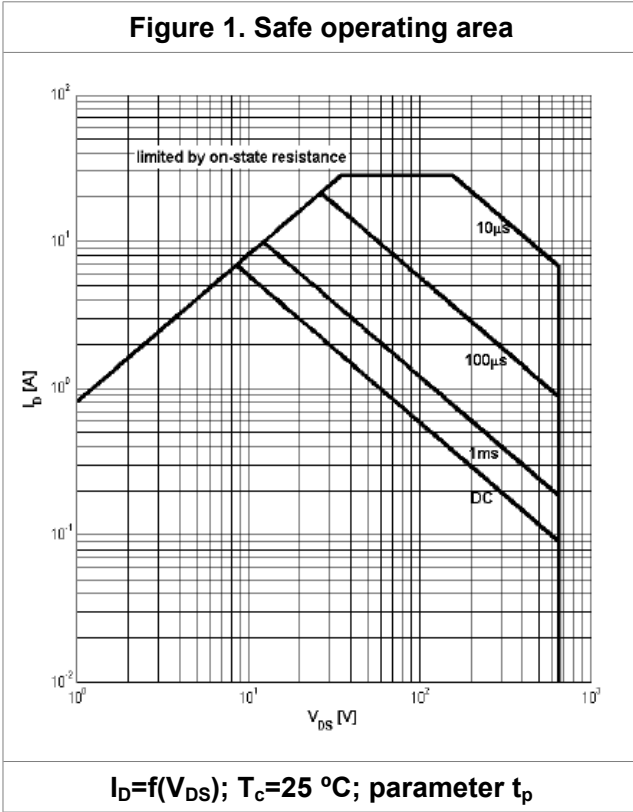
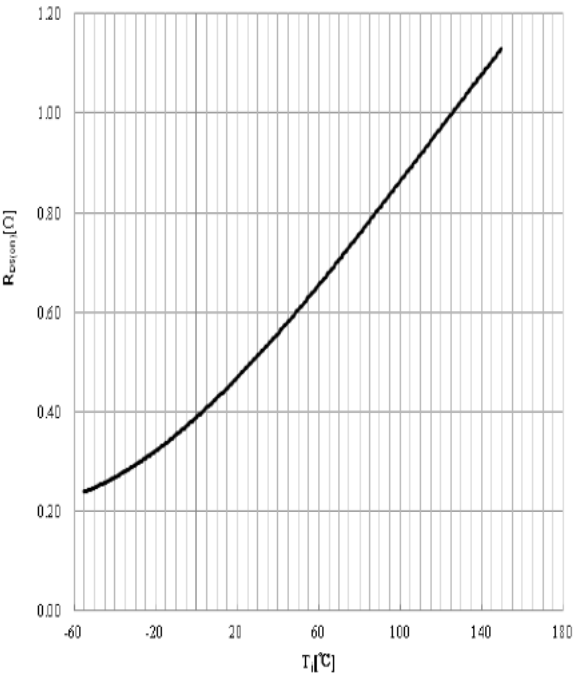
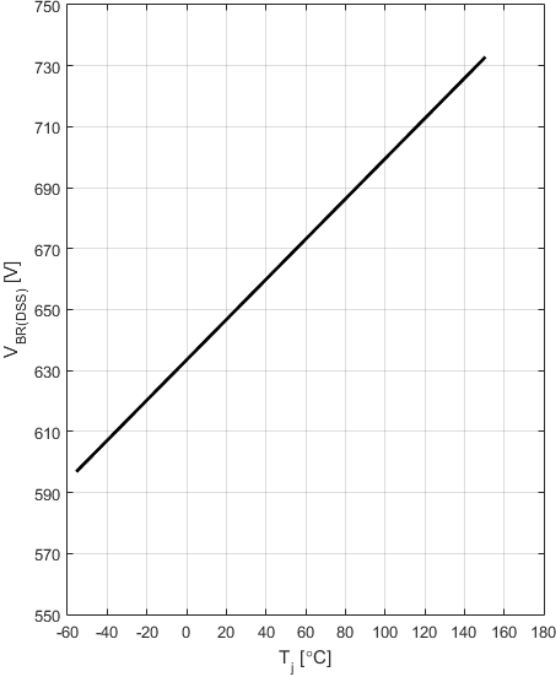


Figure 5. Drain-source on-state resistance



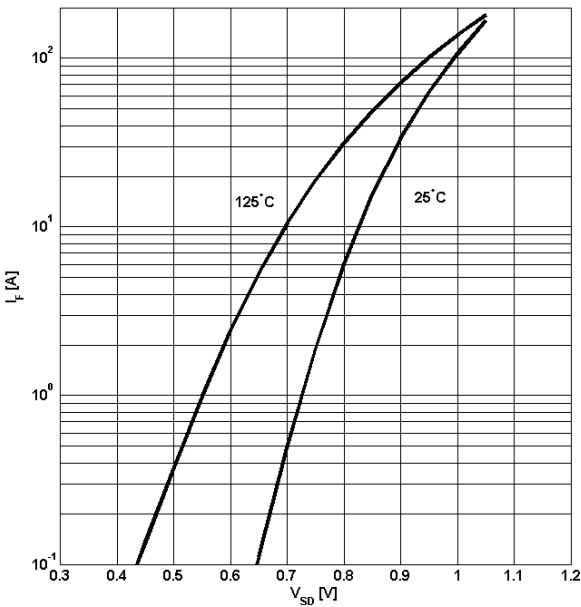
$R_{DS(ON)}=f(T_j); I_D=4A; V_{GS}=10V$

Figure6. Drain-source breakdown voltage



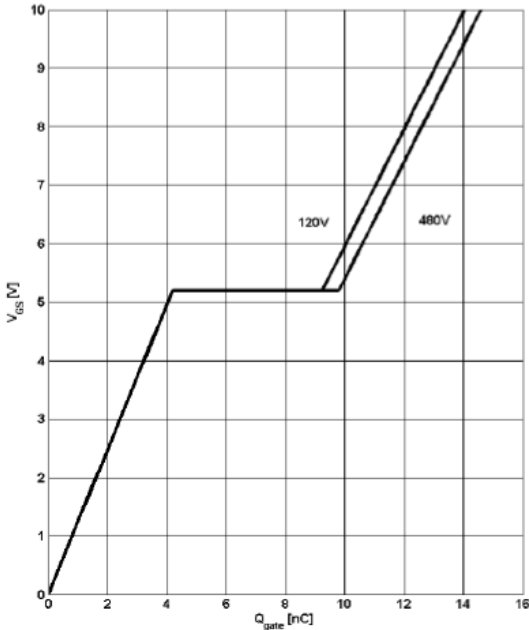
$V_{BR(DSS)}=f(T_j); I_D=250\mu A$

Figure7. Forward characteristics of reverse diode



$I_F=f(V_{SD}); \text{parameter: } T_j$

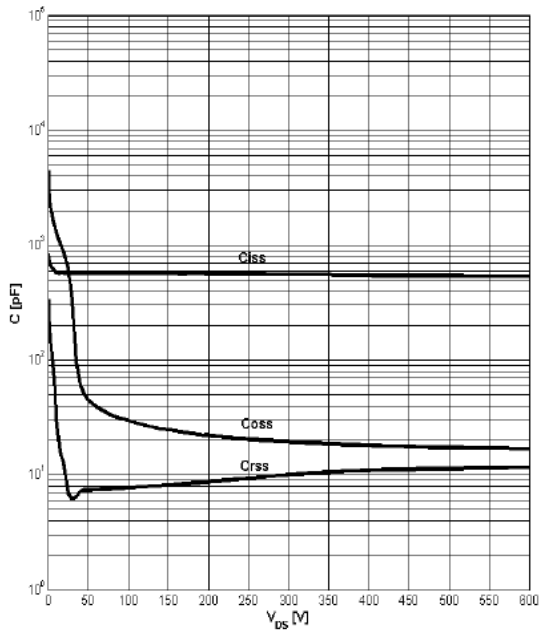
Figure 8. Typ. gate charge



$V_{GS}=f(Q_{gate}), I_D=4A \text{ pulsed}$

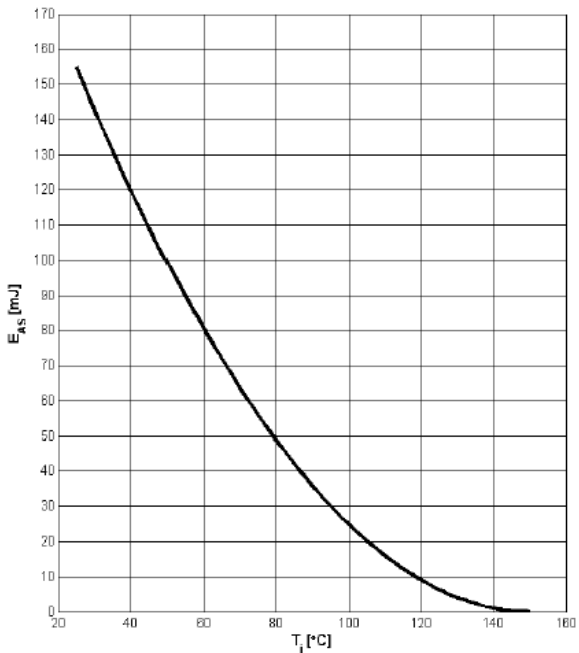


Figure 9: Typ. capacitances



C=f(V_{DS}); V_{GS}=0; f=1MHz

Figure 10: Avalanche energy

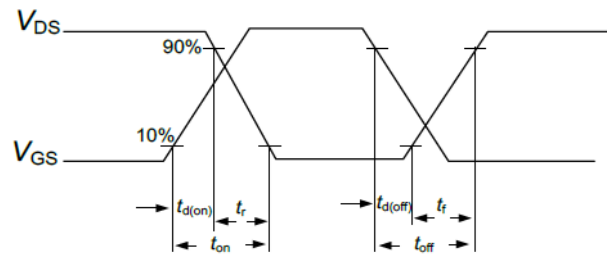
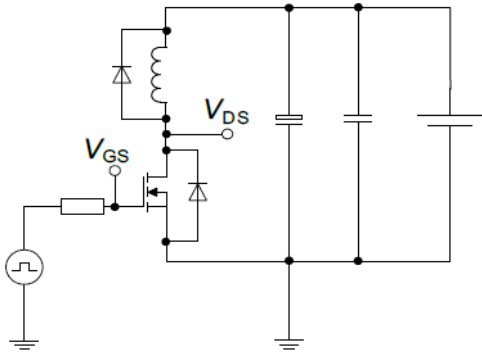


E_{AS}=f(T_j); I_D=4A; V_{DD}=50V

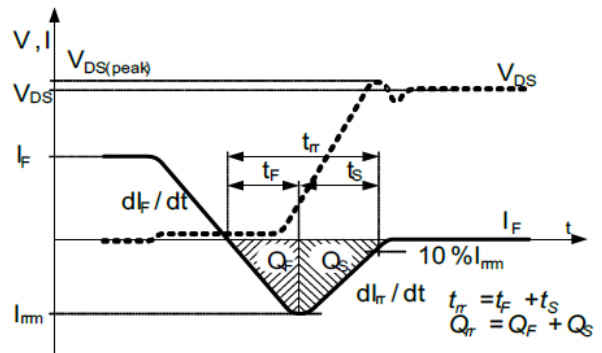
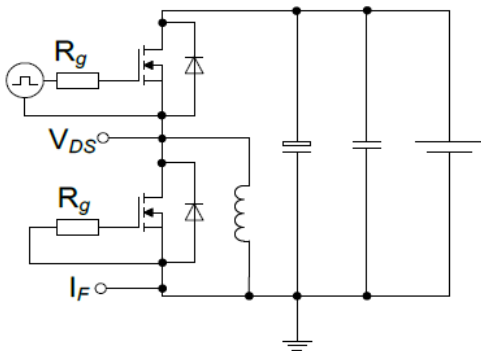
Test Circuits

Switch time test circuit

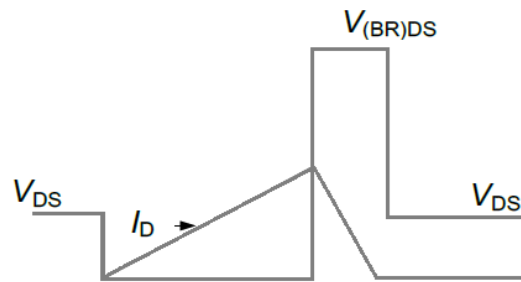
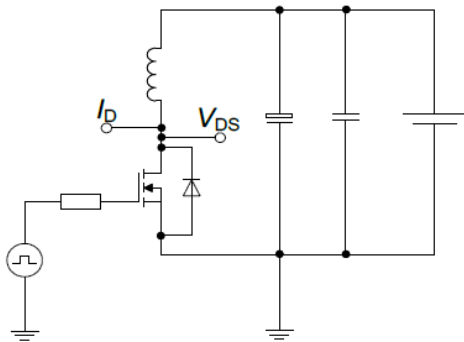




Reverse diode characteristics test circuit and waveform



Unclaimed inductive switching test circuit & waveform

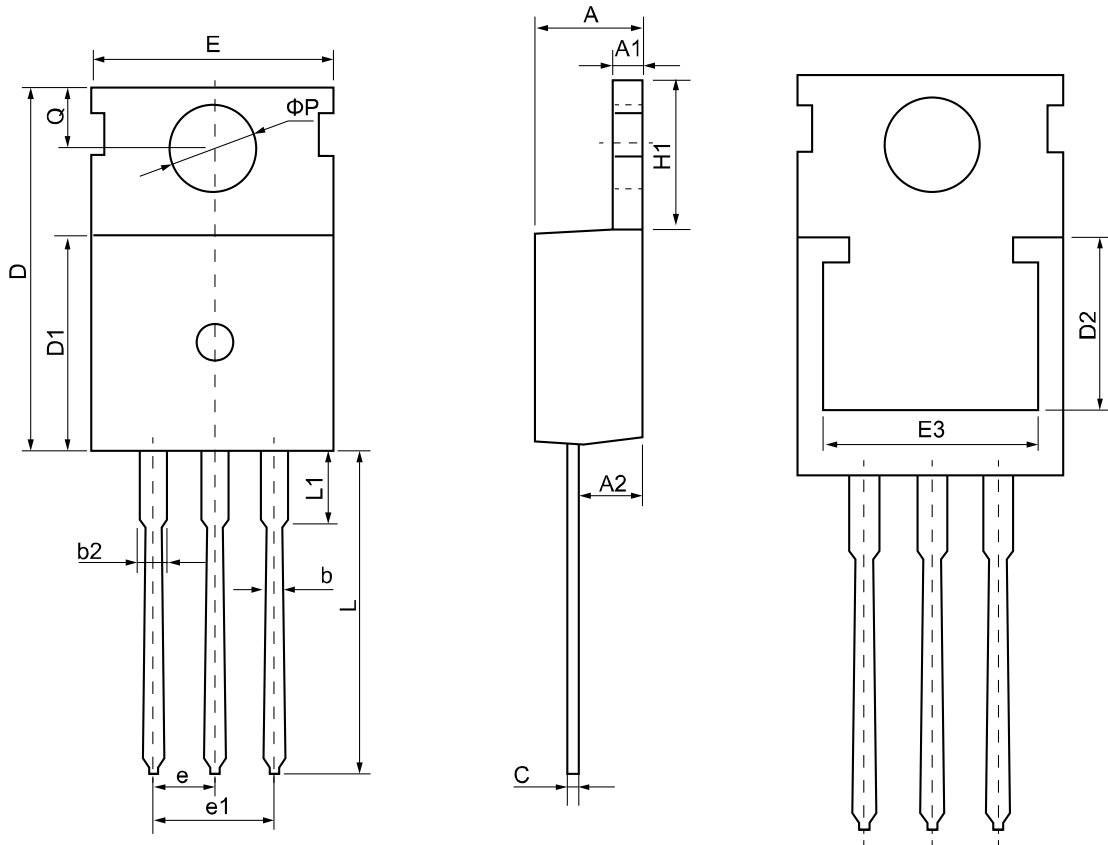


PHYSICAL DIMENSIONS

TO-220



CWS55R580A

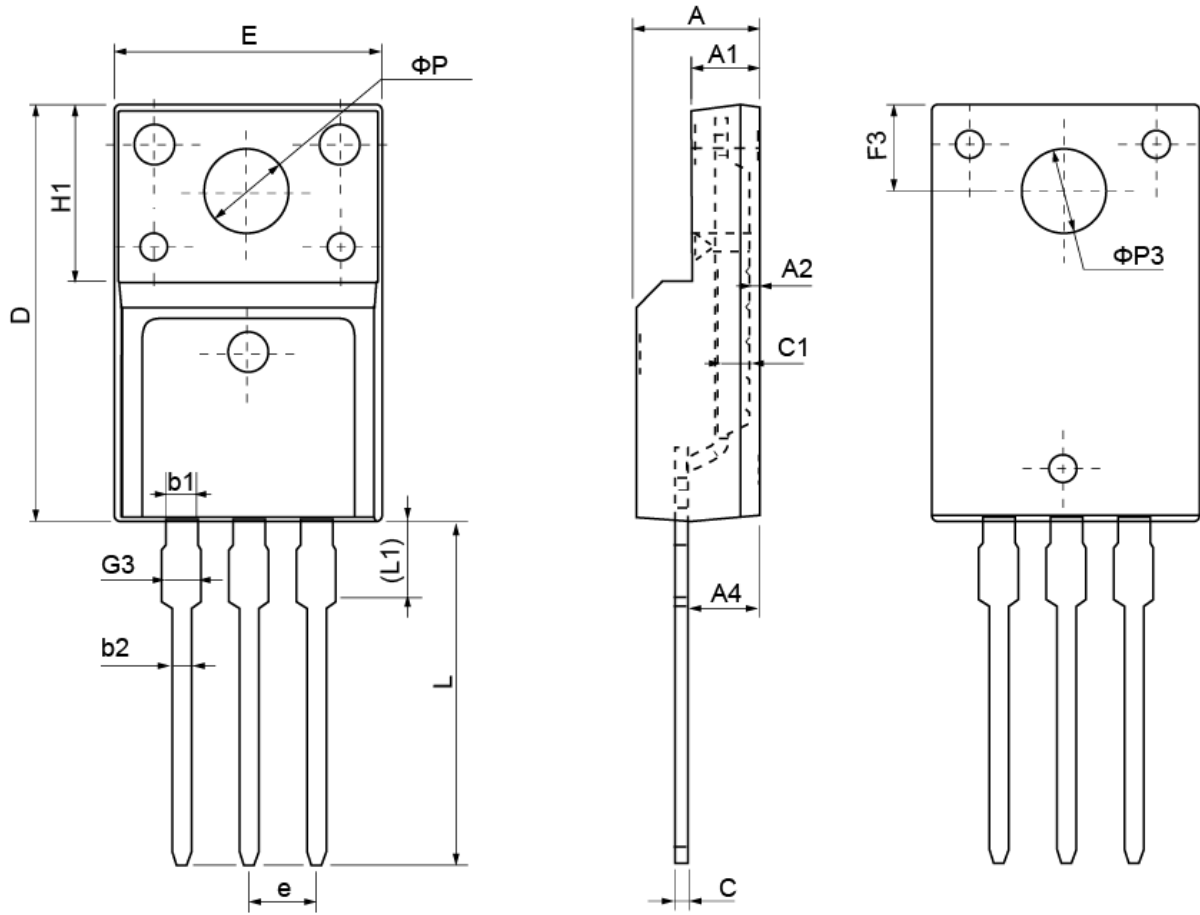


Symbol	Dimension (mm)			Symbol	Dimension (mm)		
	Min	Nom	Max		Min	Nom	Max
A	4.37	4.57	4.77	E	9.80	10.00	10.20
A1	1.25	1.30	1.45	E3	7.00	-	-
A2	2.20	2.40	2.60	e	2.54(BSC)		
b	0.70	0.80	0.95	e1	5.08(BSC)		
b2	1.17	1.27	1.47	H1	6.30	6.50	6.80
c	0.40	0.50	0.65	L	12.75	13.50	13.80
D	15.30	15.60	15.90	L1	-	3.10	3.40
D1	8.90	9.10	9.30	ΦP	3.40	3.60	3.80
D2	5.50	-	-	Q	2.60	2.80	3.00

TO-220F



CWS55R580A

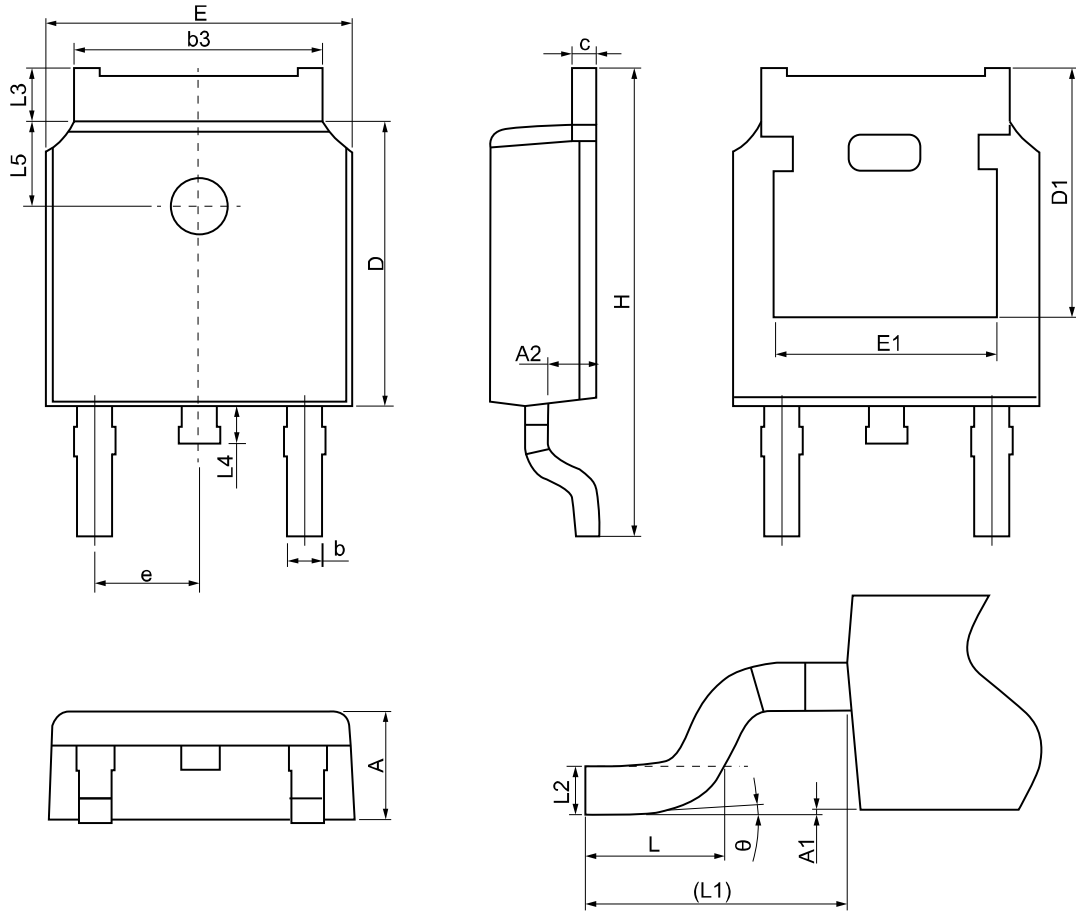


Symbol	Dimension (mm)			Symbol	Dimension (mm)		
	Min	Nom	Max		Min	Nom	Max
E	9.96	10.16	10.36	e	2.54(BSC)		
A	4.50	4.70	4.90	L	12.68	12.98	13.28
A1	2.34	2.54	2.74	L1	2.93	3.03	3.13
A2	0.30	0.45	0.60	ΦP	3.03	3.18	3.38
A4	2.56	2.76	2.96	ΦP3	3.15	3.45	3.65
c	0.40	0.50	0.65	F3	3.15	3.30	3.45
c1	1.20	1.30	1.35	G3	1.25	1.35	1.55
D	15.57	15.87	16.17	b1	1.18	1.28	1.43
H1	6.70(REF)			b2	0.70	0.80	0.95

TO-252



CWS55R580A



Symbol	Dimension (mm)			Symbol	Dimension (mm)		
	Min	Nom	Max		Min	Nom	Max
A	2.20	2.30	2.40	e	2.286(BSC)		
A1	0.00	-	0.20	H	9.40	10.10	10.50
A2	0.97	1.07	1.17	L	1.38	1.50	1.75
b	0.68	0.78	0.90	L1	2.90(REF)		
b3	5.20	5.33	5.50	L2	0.51(BSC)		
c	0.43	0.53	0.63	L3	0.88	-	1.28
D	5.98	6.10	6.22	L4	0.50	-	1.00
D1	5.30(REF)			L5	1.65	1.80	1.95
E	6.40	6.60	6.80	θ	0°	-	8°
E1	4.63	-	-	-	-	-	-

< Copyright >

All the Patent, Copyright and IP contained in this document belong to Xinyuan semiconductor, shall not be reproduced, copied, or used in other ways without permission.

