

32K/64K/128K bit Serial I²C bus EEPROM

DESCRIPTION

The CW24C32A/64A/128A provides 32768/65536/131072 bits of serial electrically erasable and programmable read-only memory (EEPROM), organized as 4096/8192/16384 words of 8 bits each. The device is optimized for use in many industrial and commercial applications where low-power and low-voltage operation are essential. The CW24C32A/64A/128A is accessed via a two-wire serial interface and is available in 1.7V (1.7V to 5.5V) version.

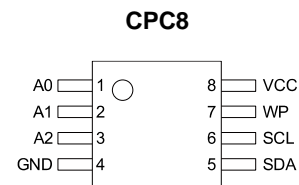
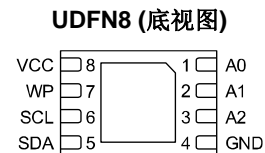
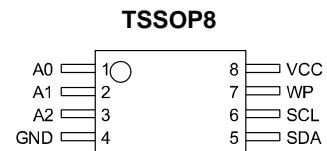
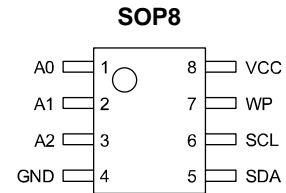
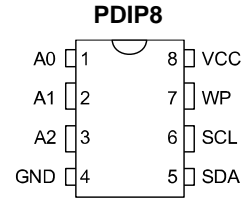
FEATURES

- Wide Voltage Operation $V_{CC} = 1.7V$ to 5.5V
- Operating Ambient Temperature: $-40^{\circ}C$ to $+85^{\circ}C$
- Internally Organized:
 - CW24C32A, 4096 × 8 (32K bits)
 - CW24C64A, 8192 × 8 (64K bits)
 - CW24C128A, 16384 × 8 (128K bits)
- Two-wire Serial Interface
- Schmitt Trigger, Filtered Inputs for Noise Suppression
- Bidirectional Data Transfer Protocol
- Page Write, 32-byte Page
- Partial Page Writes Allowed
- Self-timed Write Cycle (4 ms max)
- High-reliability
 - Endurance: 1 Million Write Cycles
 - Data Retention: 100 Years
- PDIP8/SOP8/TSSOP8/UDFN8/CPC8/SOT23-5/
TSOT23-5/MSOP8 Packages

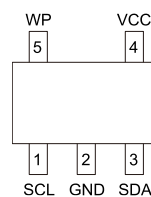
APPLICATIONS

- Intelligent Instrument
- Household Appliance
- Automotive Electronics
- Communications
- Consumer electronic

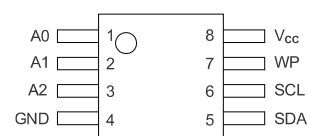
PIN CONFIGURATION



SOT23-5 / TSOT23-5



MSOP8

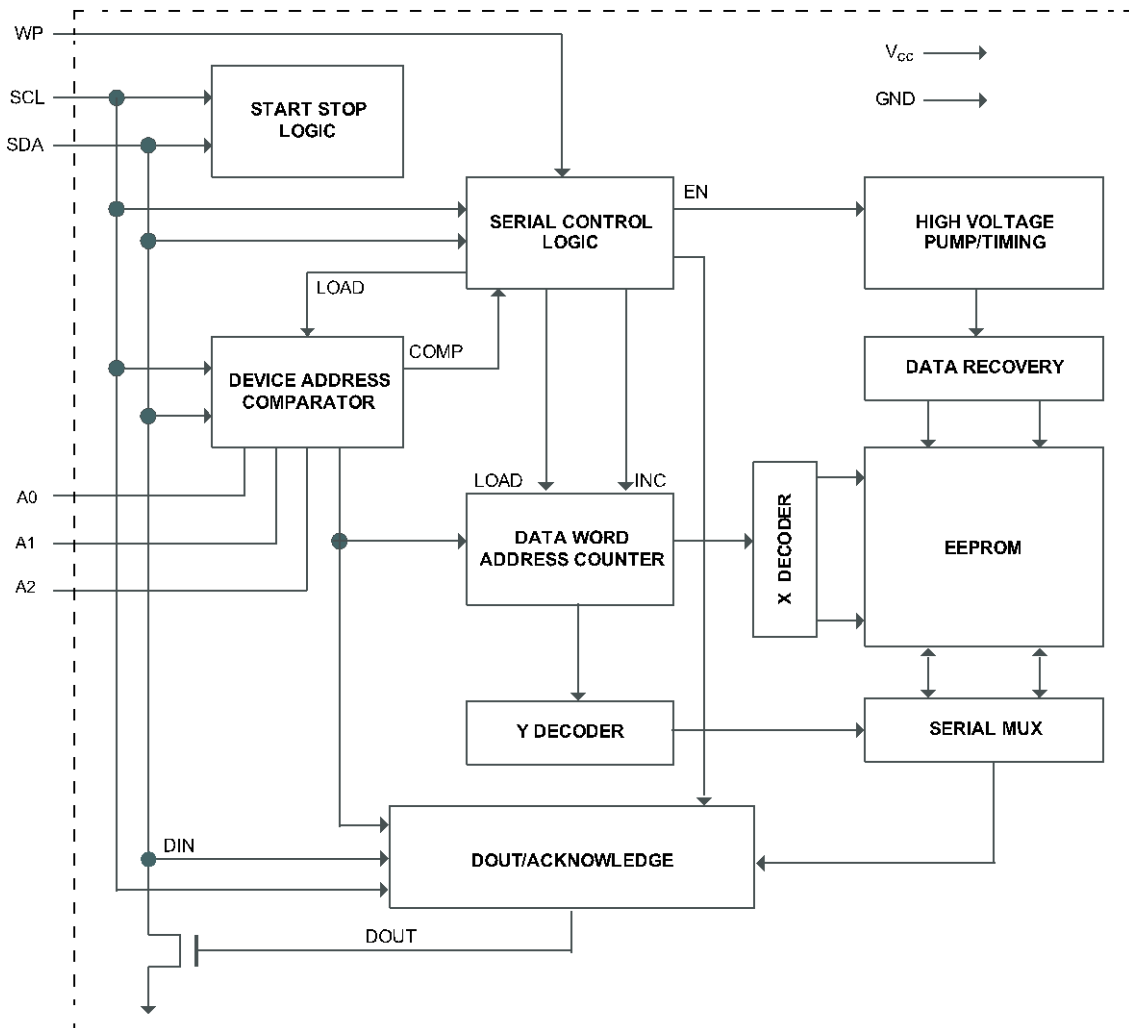


ORDERING INFORMATION

Temperature Range	Package	Orderable Device	Package Qty.	
-40°C ~ +85°C	Pb-Free	PDIP8	CW24CXXXP	50 Units/Tube
		SOP8	CW24CXXXD	100 Units/Tube
			CW24CXXXDR	3000 Units/R&T
		TSSOP8	CW24CXXXT	100 Units/Tube
			CW24CXXXTR	4000 Units/R&T
		UDFN8	CW24CXXXUR	4000 Units/R&T
		CPC8	CW24CXXXCR	15K Units/R&T
		SOT23-5	CW24CXXXS5R	3000 Units/R&T
		TSOT23-5	CW24CXXXTS5R	3000 Units/R&T
MSOP8	CW24CXXXM	4000 Units/R&T		

XXX= 32A/64A/128A

BLOCK DIAGRAM



ABSOLUTE MAXIMUM RATINGS

(Maximum Ratings are those values beyond which damage to the device may occur.)

Parameter	Symbol	Value	Unit
DC Supply Voltage	V_{CC}	-0.3 to + 6.5	V
DC Input Voltage	V_{IN}	GND - 0.3 to $V_{CC} + 0.3$	V
DC Output Voltage	V_{OUT}	GND - 0.3 to $V_{CC} + 0.3$	V
Operating Ambient Temperature	T_a	-55 ~ +125	°C
Storage Temperature	T_{STG}	-65 ~ +150	°C

RECOMMENDED OPERATING CONDITIONS

(Functional operation should be restricted to the Recommended Operating Conditions.)

Parameter	Symbol	Min	Max	Unit
DC Supply Voltage	V_{CC}	1.7	5.5	V
Operating Temperature	T_A	-40	+85	°C

CAPACITANCE

(Applicable over recommended operating range from $T_A = 25^{\circ}\text{C}$, $f = 1.0\text{ MHz}$, $V_{CC} = +1.7\text{V}$)

Parameter	Symbol	Test Conditions	Min	Max	Unit
Input/Output Capacitance (SDA)	$C_{I/O}$	$V_{I/O} = 0\text{V}$	-	8	pF
Input Capacitance (A0, A1, A2, SCL)	C_{IN}	$V_{IN} = 0\text{V}$	-	6	pF

DC ELECTRICAL CHARACTERISTICS

(Applicable over recommended operating range from: $T_A = -40^{\circ}\text{C}$ to $+85^{\circ}\text{C}$, $V_{CC} = +1.7\text{V}$ to $+5.5\text{V}$ unless otherwise noted)

Parameter	Symbol	Test Conditions	Min	Typ	Max	Unit	
Supply Voltage	V_{CC1}	-	1.7	-	5.5	V	
	V_{CC2}	-	2.5	-	5.5		
	V_{CC3}	-	2.7	-	5.5		
	V_{CC4}	-	4.5	-	5.5		
Supply Current	I_{CC}	$V_{CC} = 5\text{V}$	Read at 400kHz	-	0.4	2.0	mA
			Write at 400kHz	-	1.5	2.0	mA
Standby Current	I_{SB}	$V_{IN} = V_{CC}$ or GND, $V_{CC}=1.7\text{V}$	-	0.6	1.0	μA	
		$V_{IN} = V_{CC}$ or GND, $V_{CC}=2.5\text{V}$	-	1.0	2.0	μA	
		$V_{IN} = V_{CC}$ or GND, $V_{CC}=5.5\text{V}$	-	1.5	2.0	μA	
Input Leakage Current	I_{LI}	$V_{IN} = V_{CC}$ or GND	-	0.10	2.0	μA	
Output Leakage Current	I_{LO}	$V_{OUT} = V_{CC}$ or GND	-	0.05	2.0	μA	



CW24C32A/64A/128A

Parameter	Symbol	Test Conditions	Min	Typ	Max	Unit
Input Low Level	V_{IL}	$V_{CC} = 1.8V \text{ to } 5.5V$	-0.3	-	$V_{CC} \times 0.3$	V
		$V_{CC} = 1.7V$	-0.3	-	$V_{CC} \times 0.2$	
Input High Level	V_{IH}	$V_{CC} = 1.7V \text{ to } 5.5V$	$V_{CC} \times 0.7$	-	$V_{CC} + 0.3$	V
Output Low Level	V_{OL3}	$V_{CC} = 5.0V, I_{OL} = 3.0 \text{ mA}$	-	-	0.4	V
	V_{OL2}	$V_{CC} = 3.0V, I_{OL} = 2.1 \text{ mA}$	-	-	0.4	V
	V_{OL1}	$V_{CC} = 1.7V, I_{OL} = 0.15 \text{ mA}$	-	-	0.2	V

AC ELECTRICAL CHARACTERISTICS

(Applicable over recommended operating range from $T_A = -40^\circ\text{C}$ to $+85^\circ\text{C}$, $V_{CC} = +1.7V$ to $+5.5V$, $C_L = 1 \text{ TTL Gate and } 100 \text{ pF}$ unless otherwise noted)

Parameter	Symbol	Test Conditions	Min	Typ	Max	Unit
Clock Frequency, SCL	f_{SCL}	$1.7V < V_{CC} < 2.5V$	-	-	400	kHz
		$2.5V < V_{CC} < 5.5V$	-	-	1000	
Clock Pulse Width Low	t_{LOW}	$1.7V < V_{CC} < 2.5V$	1.2	-	-	μs
		$2.5V < V_{CC} < 5.5V$	0.6	-	-	
Clock Pulse Width High	t_{HIGH}	$1.7V < V_{CC} < 2.5V$	0.6	-	-	μs
		$2.5V < V_{CC} < 5.5V$	0.4	-	-	
Noise Suppression Time	t_i	$1.7V < V_{CC} < 2.5V$	-	-	50	ns
		$2.5V < V_{CC} < 5.5V$	-	-	50	
Clock Low to Data Out Valid	t_{AA}	$1.7V < V_{CC} < 2.5V$	0.1	-	0.9	μs
		$2.5V < V_{CC} < 5.5V$	0.05	-	0.9	
Time the bus must be free before a new transmission can start	t_{BUF}	$1.7V < V_{CC} < 2.5V$	1.2	-	-	μs
		$2.5V < V_{CC} < 5.5V$	0.5	-	-	
Start Hold Time	$t_{HD,STA}$	$1.7V < V_{CC} < 2.5V$	0.6	-	-	μs
		$2.5V < V_{CC} < 5.5V$	0.25	-	-	
Start Setup Time	$t_{SU,STA}$	$1.7V < V_{CC} < 2.5V$	0.6	-	-	μs
		$2.5V < V_{CC} < 5.5V$	0.25	-	-	
Data In Hold Time	$t_{HD,DAT}$	$1.7V < V_{CC} < 5.5V$	0	-	-	μs
Data In Setup Time	$t_{SU,DAT}$	$1.7V < V_{CC} < 5.5V$	100	-	-	ns
Inputs Rise Time	t_R	-	-	-	300	ns
Inputs Fall Time	t_F	-	-	-	300	ns
Stop Setup Time	$t_{SU,STO}$	$1.7V < V_{CC} < 2.5V$	0.6	-	-	μs
		$2.5V < V_{CC} < 5.5V$	0.25	-	-	
Data Out Hold Time	t_{DH}	-	50	-	-	ns
Write Cycle Time	t_{WR}	-	-	3.3	4	ms
5.0V, 25°C, Byte Mode	Endurance	-	1M	-	-	Write Cycles

Note:

1. This parameter is characterized and is not 100% tested.



July, 2023

Rev 2.00

www.whxy.com

2. AC measurement condition :

Input pulse voltages: $0.3 V_{CC}$ to $0.7 V_{CC}$;

Input rise and fall time: 50 ns

Input and output timing reference voltages: $0.5 V_{CC}$

The value of R_L should be concerned according to the actual loading on the user's system.

R_L (connects to V_{CC}): $1.3K\Omega$ ($2.5V, 5V$) , $10K\Omega$ ($1.7V$)

PIN DESCRIPTION

No.		Name	Function Description
5PIN	8PIN		
-	1	A0	Address input. The A2, A1 pins are device address inputs for hard wire addressing and a total of four devices may be addressed on a single bus system. The A0 pin can be connected to ground.
-	2	A1	
-	3	A2	
2	4	GND	Circuit ground pin.
3	5	SDA	Serial address and data I/O. This pin is open-drain driven and may be wire-ORed with any number of other open-drain or open-collector devices.
1	6	SCL	Serial clock input. The SCL input is used to positive edge clock data into each EEPROM device and negative edge clock data out of each device.
5	7	WP	Write protect. The WP pin that provides hardware data protection. The WP pin allows normal read/write operations when connected to ground (GND). When the WP pin is connected to V_{CC} , the write protection feature is enabled and read only.
4	8	VCC	Positive supply voltage.

MEMORY ORGANIZATION

Device	Total bits	Total pages	Bytes per page	Word address
CW24C32A	32K	128	32	12-bit
CW24C64A	64K	256	32	13-bit
CW24C128A	128K	512	32	14-bit

DEVICE OPERATION

Clock and data transitions

The SDA pin is normally pulled high with an external device. Data on the SDA pin may change only during SCL low time periods (see Figure 1). Data changes during SCL high periods will indicate a start or stop condition as defined below.



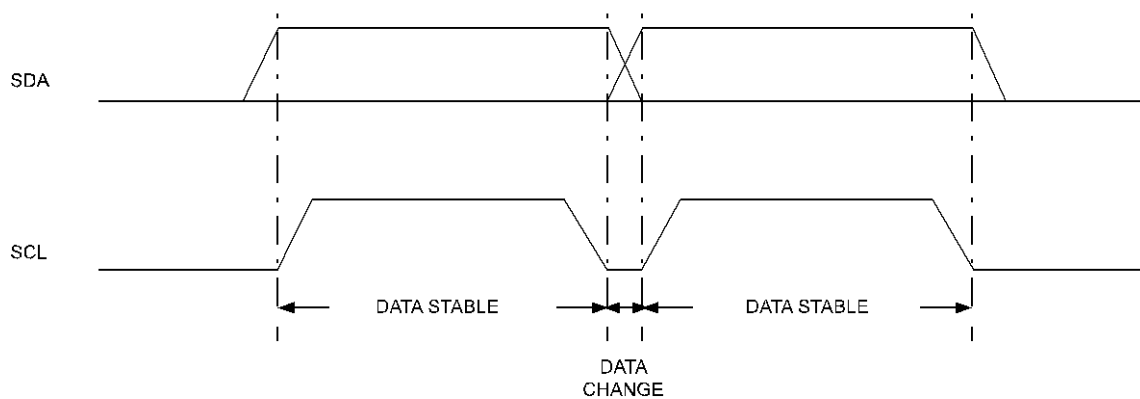


Figure 1. Data Validity

Start Conditions

A high-to-low transition of SDA with SCL high is a start condition which must precede any other Command. (see Figure 2)

Stop Conditions

A low-to-high transition of SDA with SCL high is a stop condition. After a read sequence, the stop command will place the EEPROM in a standby power mode. (see Figure 2)

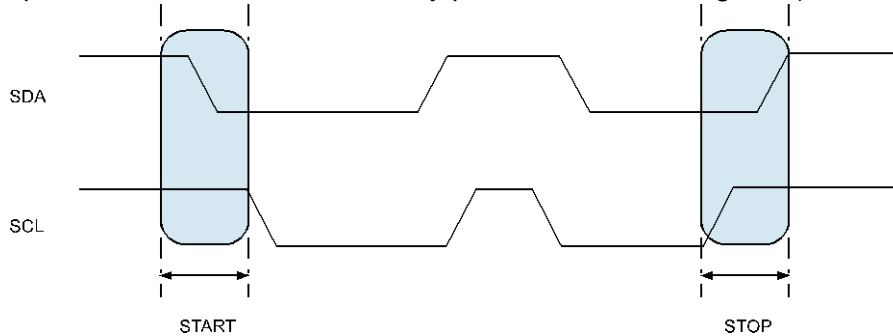


Figure 2. Start and Stop Definition

Acknowledge

All addresses and data words are serially transmitted to and from the EEPROM in 8-bit words. The EEPROM sends a "0" to acknowledge that it has received each word. This happens during the ninth clock cycle.

Standby Mode

The CW24C32A/64A/128A features a low-power standby mode which is enabled:

- (1) upon power-up and
- (2) after the receipt of the STOP bit and the completion of any internal operations.

Memory Reset

After an interruption in protocol, power loss or system reset, any two-wire part can be reset by following these steps:

- (1) Clock up to 9 cycles.
- (2) Look for SDA high in each cycle while SCL is high.
- (3) Create a start condition.



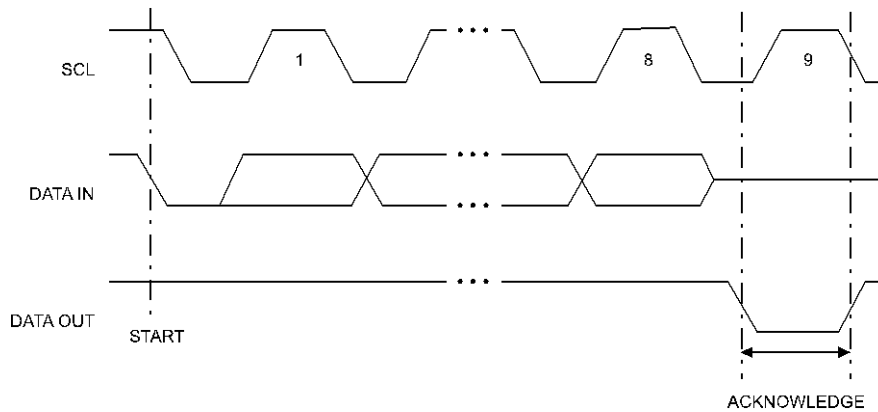


Figure 3. Output Acknowledge

DEVICE ADDRESSING

The CW24C32A/64A/128A EEPROM devices all require an 8-bit device address word following a start condition to enable the chip for a read or write operation (see Figure 4)

The device address word consists of a mandatory "1", "0" sequence for the first four most significant bits as shown. This is common to all the Serial EEPROM devices.

The CW24C32A/64A/128A EEPROM only uses the A2 and A1 device address bits. The two device address bits must compare to their corresponding hardwired input pins. The A0 pin can be connected to ground.

The eighth bit of the device address is the read/write operation select bit. A read operation is initiated if this bit is high and a write operation is initiated if this bit is low.

Upon a compare of the device address, the EEPROM will output a "0". If a compare is not made, the chip will return to a standby state.

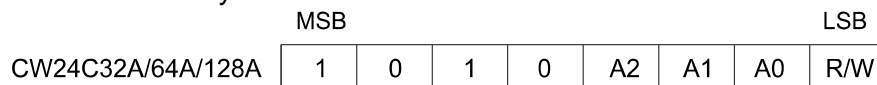


Figure 4. Device Address

Data Security

The CW24C32A/64A/128A has a hardware data protection scheme that allows the user to write protect the entire memory when the WP pin is at VCC.

WRITE OPERATIONS

Byte Write

A write operation requires an 8-bit data word address following the device address word and acknowledgment. Upon receipt of this address, the EEPROM will again respond with a "0" and then clock in the first 8-bit data word. Following receipt of the 8-bit data word, the EEPROM will



output a "0" and the addressing device, such as a microcontroller, must terminate the write sequence with a stop condition. At this time the EEPROM enters an internally timed write cycle, t_{WR} , to the nonvolatile memory. All inputs are disabled during this write cycle and the EEPROM will not respond until the write is complete (see Figure 5).

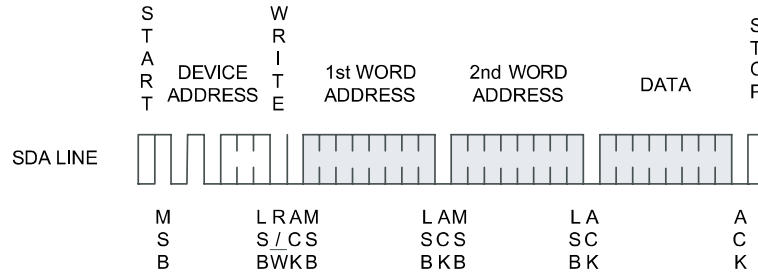


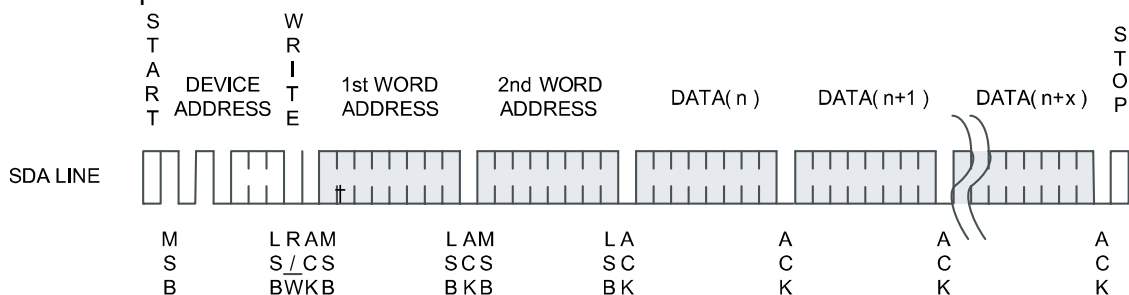
Figure 5. Byte Write

Page Write

The CW24C32A/64A/128A devices is capable of 32-byte page write.

A page write is initiated the same as a byte write, but the microcontroller does not send a stop condition after the first data word is clocked in. Instead, after the EEPROM acknowledges receipt of the first data word, the microcontroller can transmit up to 31 more data words. The EEPROM will respond with a "0" after each data word received. The microcontroller must terminate the page write sequence with a stop condition (see Figure 6).

The data word address lower 5 (CW24C32A/64A) or 6 (CW24C128A) bits are internally incremented following the receipt of each data word. The higher data word address bits are not incremented, retaining the memory page row location. When the word address, internally generated, reaches the page boundary, the following byte is placed at the beginning of the same page. If more than 32 data words are transmitted to the EEPROM, the data word address will "roll over" and previous data will be overwritten.



Notes: († = DON'T CARE bit for CW24C128)

Figure 6. Page Write

Acknowledge Polling

Once the internally timed write cycle has started and the EEPROM inputs are disabled, acknowledge polling can be initiated. This involves sending a start condition followed by the device address word. The read/write bit is representative of the operation desired. Only if the internal write cycle has completed will the EEPROM respond with a "0", allowing the read or write sequence to continue.



READ OPERATIONS

Read operations are initiated the same way as write operations with the exception that the read/write select bit in the device address word is set to "1". There are three read operations: current address read, random address read and sequential read.

Current Address Read

The internal data word address counter maintains the last address accessed during the last read or write operation, incremented by one. This address stays valid between operations as long as the chip power is maintained. The address "roll over" during read is from the last byte of the last memory page to the first byte of the first page. The address "roll over" during write is from the last byte of the current page to the first byte of the same page.

Once the device address with the read/write select bit set to "1" is clocked in and acknowledged by the EEPROM, the current address data word is serially clocked out. The microcontroller does not respond with an input "0" but does generate a following stop condition (see Figure 7).

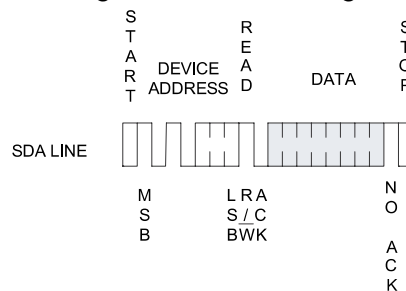
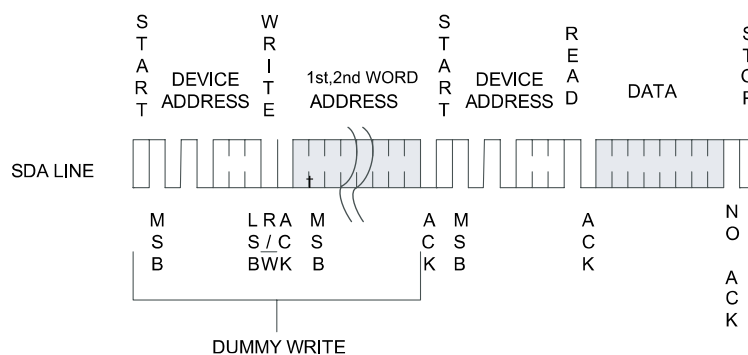


Figure 7. Current Address Read

Random Read

A random read requires a "dummy" byte write sequence to load in the data word address. Once the device address word and data word address are clocked in and acknowledged by the EEPROM, the microcontroller must generate another start condition. The microcontroller now initiates a current address read by sending a device address with the read/write select bit high. The EEPROM acknowledges the device address and serially clocks out the data word. The microcontroller does not respond with a "0" but does generate a following stop condition (see Figure 8).



Notes: († = DON'T CARE bit for CW24C128)

Figure 8. Random Read



Sequential Read

Sequential reads are initiated by either a current address read or a random address read. After the microcontroller receives a data word, it responds with an acknowledgement. As long as the EEPROM receives an acknowledgement, it will continue to increment the data word address and serially clock out sequential data words. When the memory address limit is reached, the data word address will "roll over" and the sequential read will continue. The sequential read operation is terminated when the microcontroller does not respond with a "0" but does generate a following stop condition (see Figure 9).

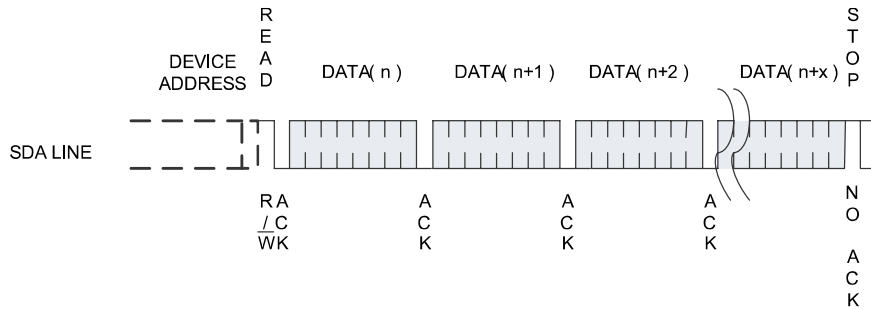


Figure 9. Sequential Read

BUS TIMING

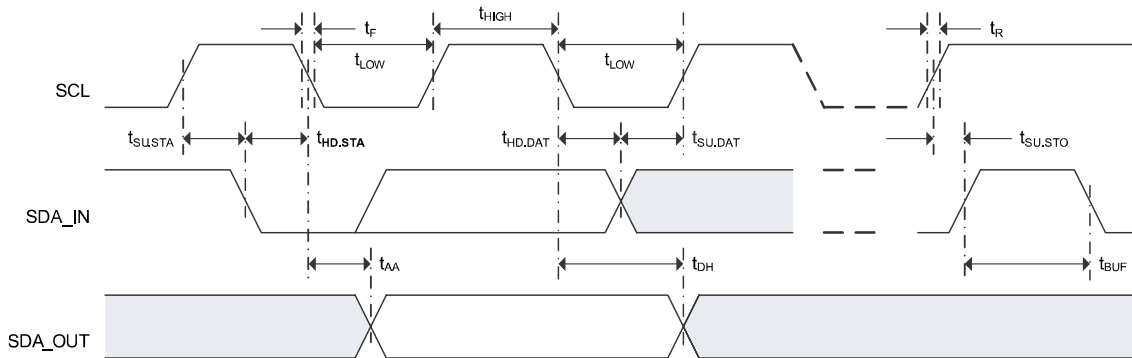
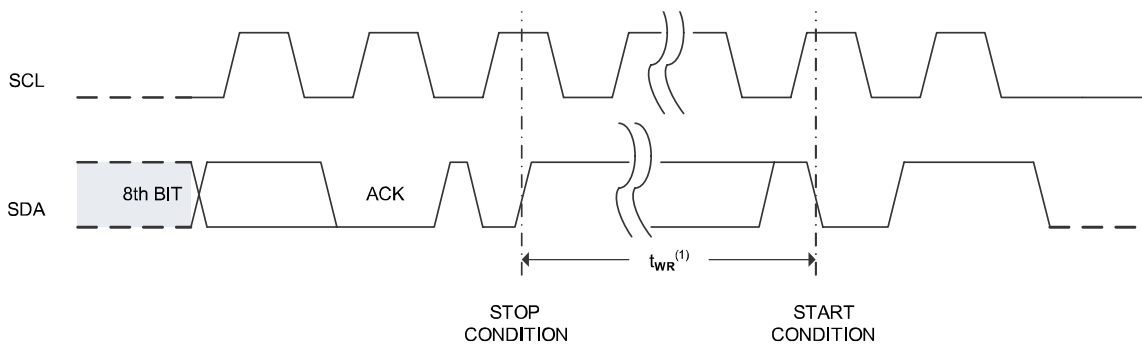


Figure 10. SCL: Serial Clock, SDA: Serial Data

WRITE CYCLE TIMING



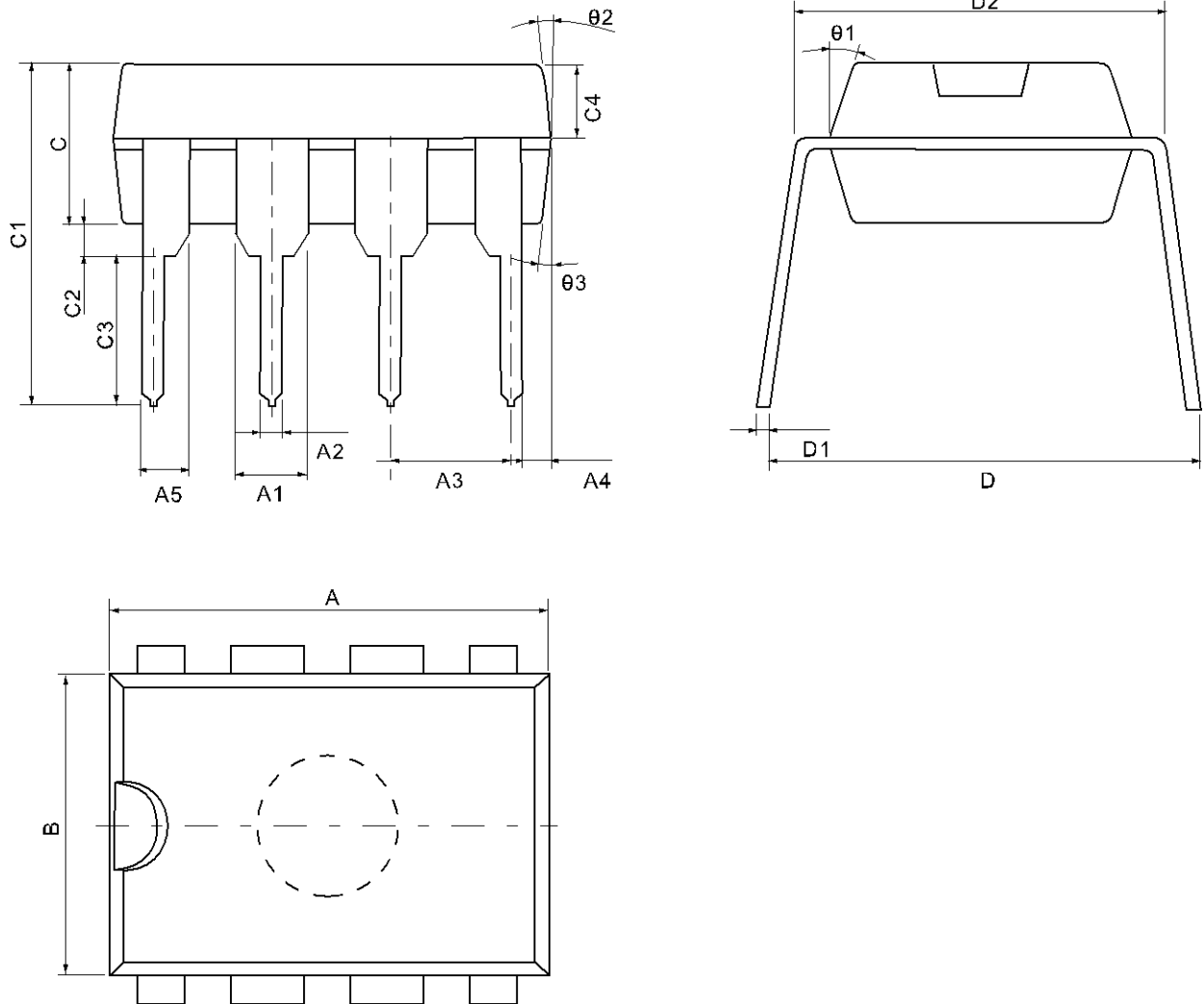
Notes: The write cycle time t_{WR} is the time from a valid stop condition of a write sequence to the end of the internal clear/write cycle.

Figure 11. SCL: Serial Clock, SDA: Serial Data I/O



PHYSICAL DIMENSIONS

DIP8

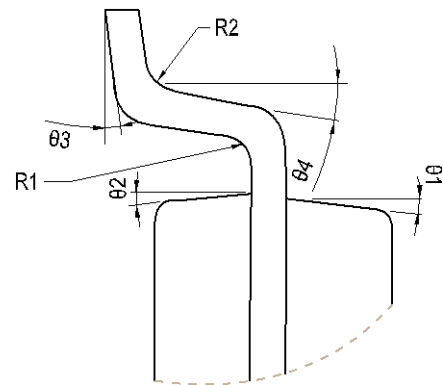
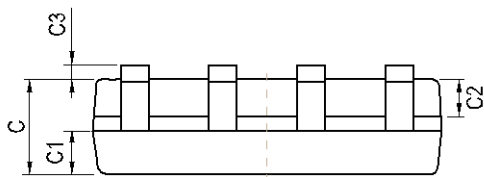
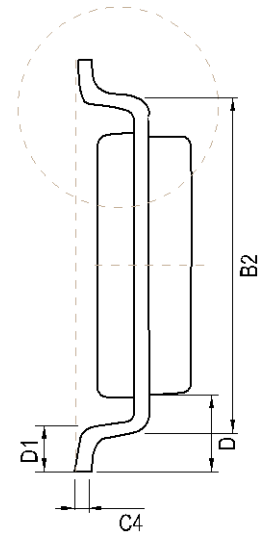
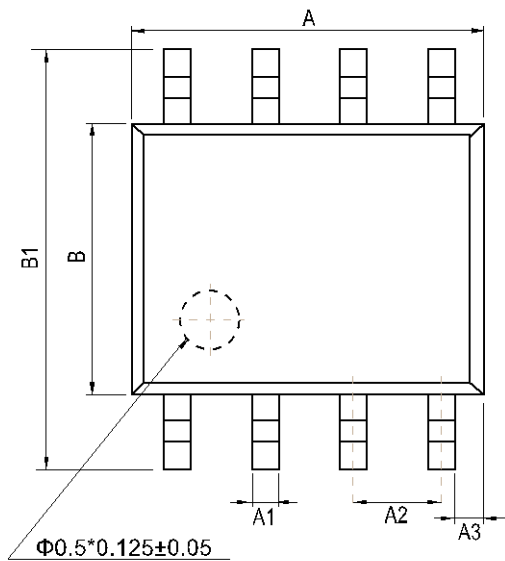


Symbol	Dimension (mm)		Symbol	Dimension (mm)	
	Min	Max		Min	Max
A	9.00	9.20	C2	0.50 (TYP)	
A1	1.474	1.574	C3	3.20	3.40
A2	0.41	0.51	C4	1.47	1.57
A3	2.44	2.64	D	8.20	8.80
A4	0.51 (TYP)		D1	0.244	0.264
A5	0.99 (TYP)		D2	7.62	7.87
B	6.10	6.30	theta1	17° (TYP)	
C	3.20	3.40	theta2	10° (TYP)	
C1	7.10	7.30	theta3	8° (TYP)	



CW24C32A/64A/128A

SOP8



Symbol	Dimension (mm)		Symbol	Dimension (mm)	
	Min	Max		Min	Max
A	4.80	5.00	C3	0.05	0.20
A1	0.356	0.456	C4	0.203	0.233
A2	1.27 (TYP)		D	1.05 (TYP)	
A3	0.345 (TYP)		D1	0.40	0.80
B	3.80	4.00	R1	0.20 (TYP)	
B1	5.80	6.20	R2	0.20 (TYP)	
B2	5.00 (TYP)		θ_1	17° (TYP)	
C	1.30	1.60	θ_2	13° (TYP)	
C1	0.55	0.65	θ_3	0° ~ 8° (TYP)	
C2	0.55	0.65	θ_4	4° ~ 12° (TYP)	



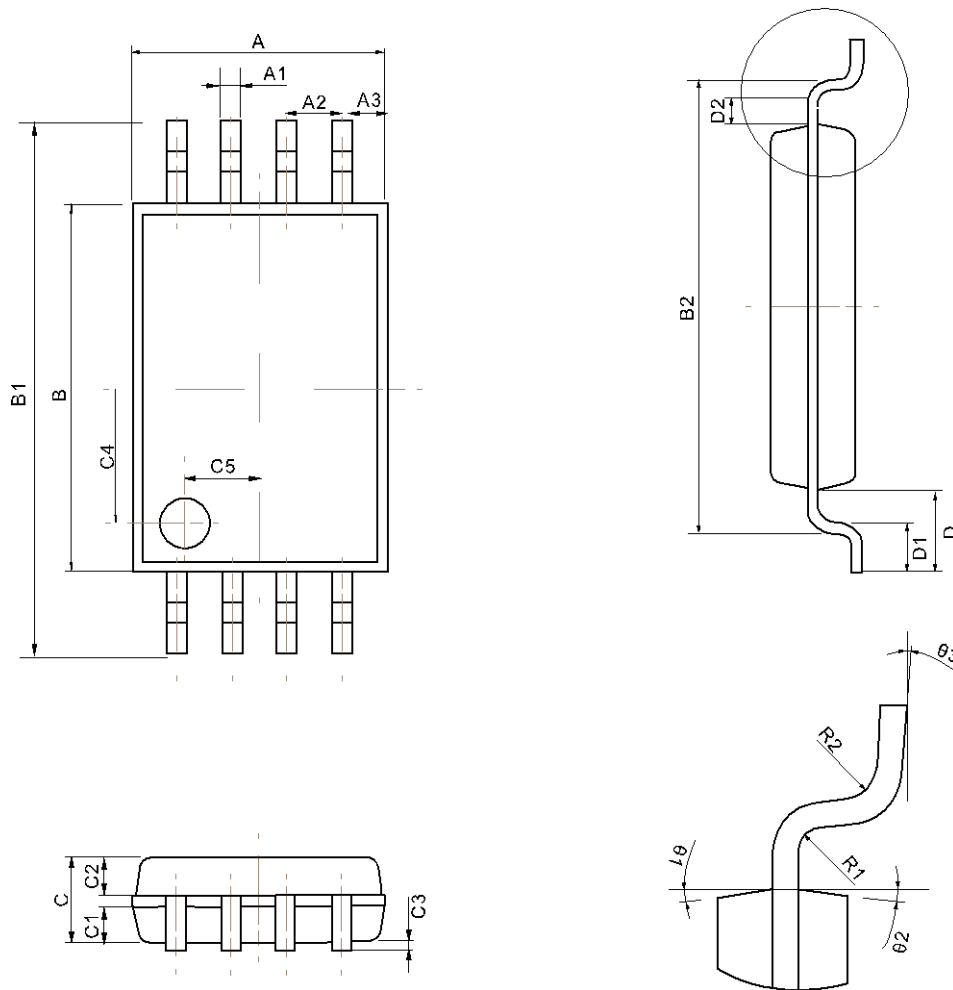
July, 2023

Rev 2.00

www.whxy.com

CW24C32A/64A/128A

TSSOP8



Symbol	Dimension (mm)		Symbol	Dimension (mm)	
	Min	Max		Min	Max
A	2.90	3.10	C4	1.55	1.65
A1	0.20	0.30	C5	0.85	0.95
A2	0.60	0.70	D	1.00 (TYP)	
A3	0.41	0.42	D1	0.50	0.70
B	4.30	4.50	D2	0.19	0.29
B1	6.30	6.50	R1	0.15 (TYP)	
B2	5.404	5.504	R2	0.15 (TYP)	
C	0.95	1.05	θ1	12° (TYP)	
C1	0.415	0.465	θ2	12° (TYP)	
C2	0.39	0.49	θ3	0° ~ 7°	
C3	0.05	0.15	-	-	



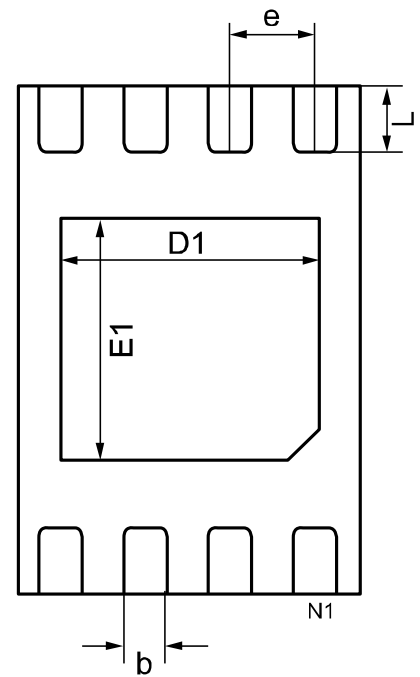
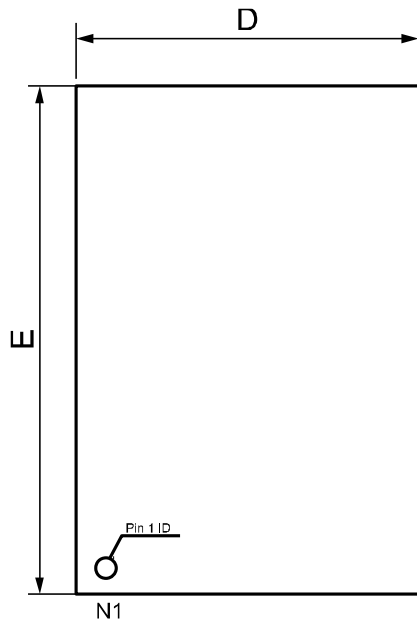
July, 2023

Rev 2.00

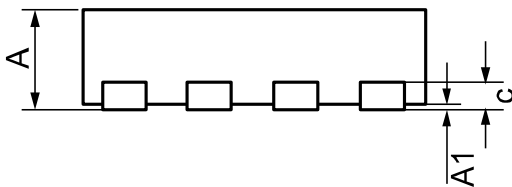
www.whxy.com

CW24C32A/64A/128A

UDFN8



bottom view



Symbol	Dimension (mm)			Symbol	Dimension (mm)		
	Min	Typ.	Max		Min	Typ.	Max
A	0.50	0.55	0.60	e	0.50TYP		
A1	0.00	0.03	0.05	E	2.95	3.00	3.05
b	0.20	0.25	0.30	E1	1.30	1.40	1.50
c	0.152REF			D1	1.40	1.50	1.60
D	1.95	2.00	2.05	L	0.35	0.40	0.45



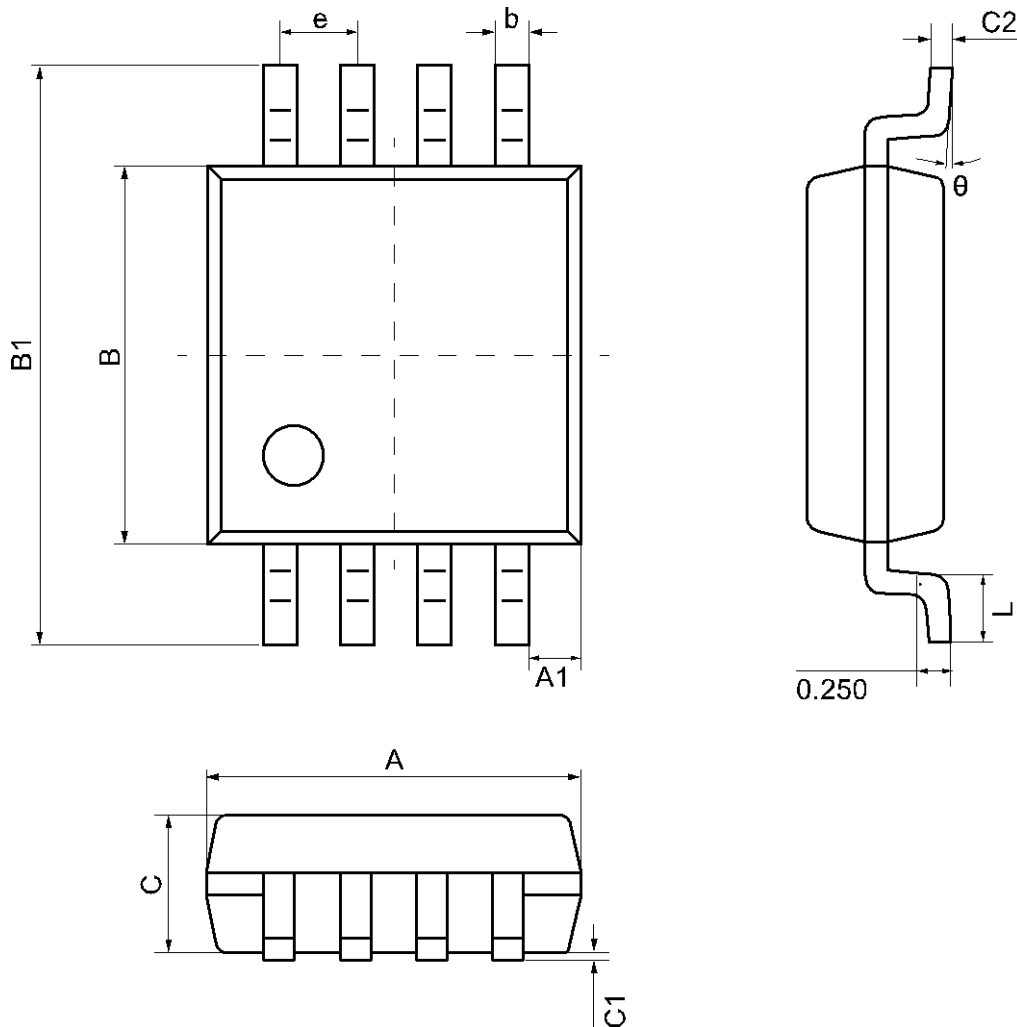
July, 2023

Rev 2.00

www.whxy.com

CW24C32A/64A/128A

CPC8



Symbol	Dimension (mm)		Symbol	Dimension (mm)	
	Min	Max		Min	Max
A	2.50	2.70	C	0.85	1.05
A1	0.35	0.45	C1	0.00	0.15
e	0.53 (BSC)		C2	0.15	0.18
B	2.50	2.70	L	0.40	0.60
B1	3.85	4.15	θ	0°	8°
b	0.16	0.26	-	-	-

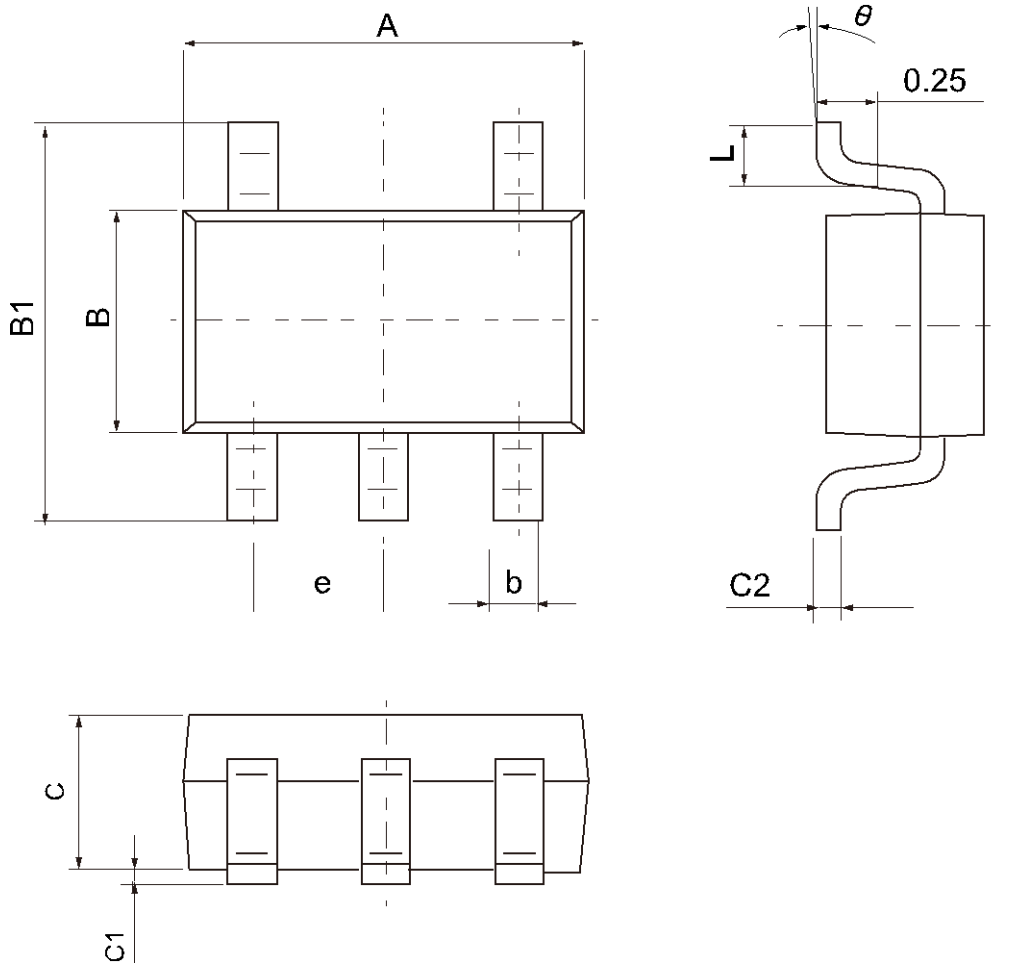


July, 2023

Rev 2.00

www.whxy.com

SOT23-5

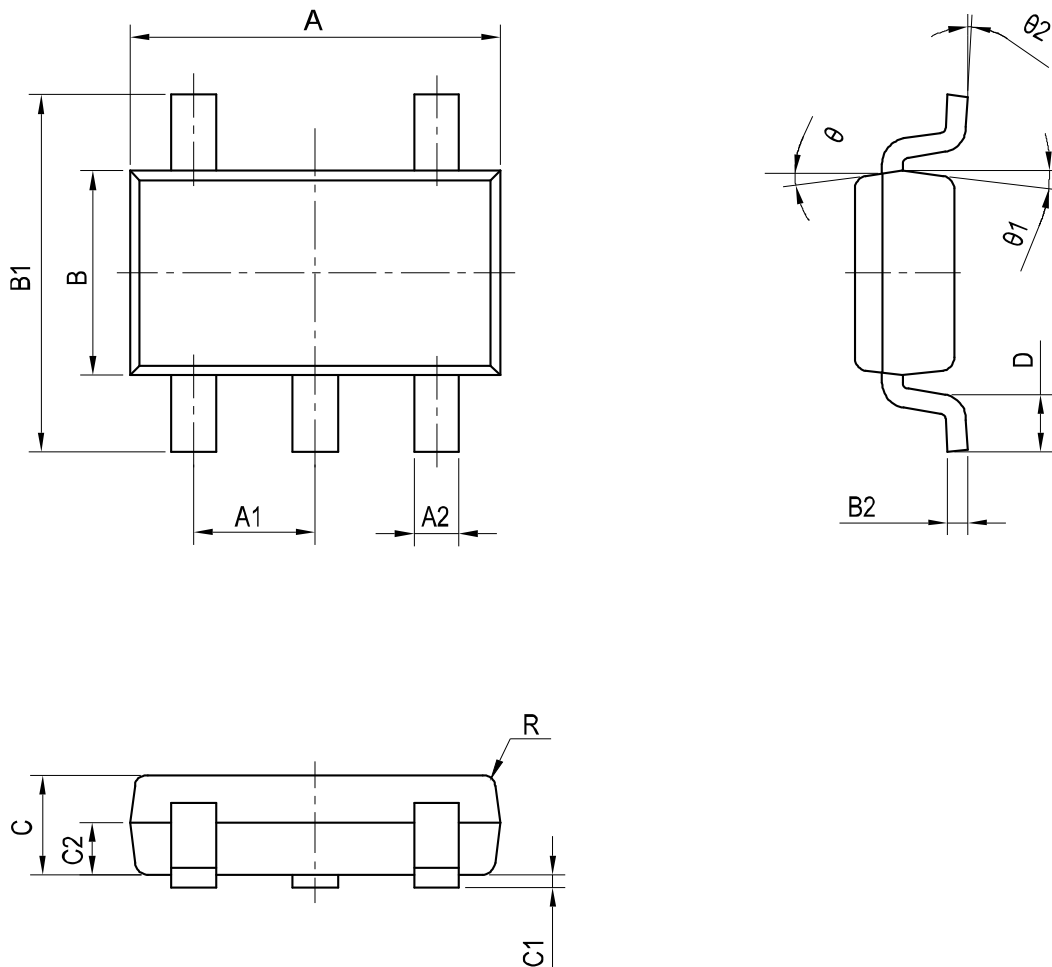


Symbol	Dimension (mm)		Symbol	Dimension (mm)	
	Min	Max		Min	Max
A	2.82	3.02	C	1.05	1.15
e	0.95 (BSC)		C1	0.03	0.15
b	0.28	0.45	C2	0.12	0.23
B	1.50	1.70	L	0.35	0.55
B1	2.75	3.05	θ	0°	8°



CW24C32A/64A/128A

TSOT23-5



符号	Dimension (mm)		符号	Dimension (mm)	
	Min	Max		Min	Max
A	2.820	3.020	C1	0.000	0.100
A1	0.950 (BSC)		C2	0.378	0.438
A2	0.350	0.500	D	0.300	0.600
B	1.600	1.700	θ	9° TYP4	
B1	2.650	2.950	$\theta 1$	10° TYP4	
B2	0.080	0.200	$\theta 2$	0~8°	
C	0.700	0.800	-	-	



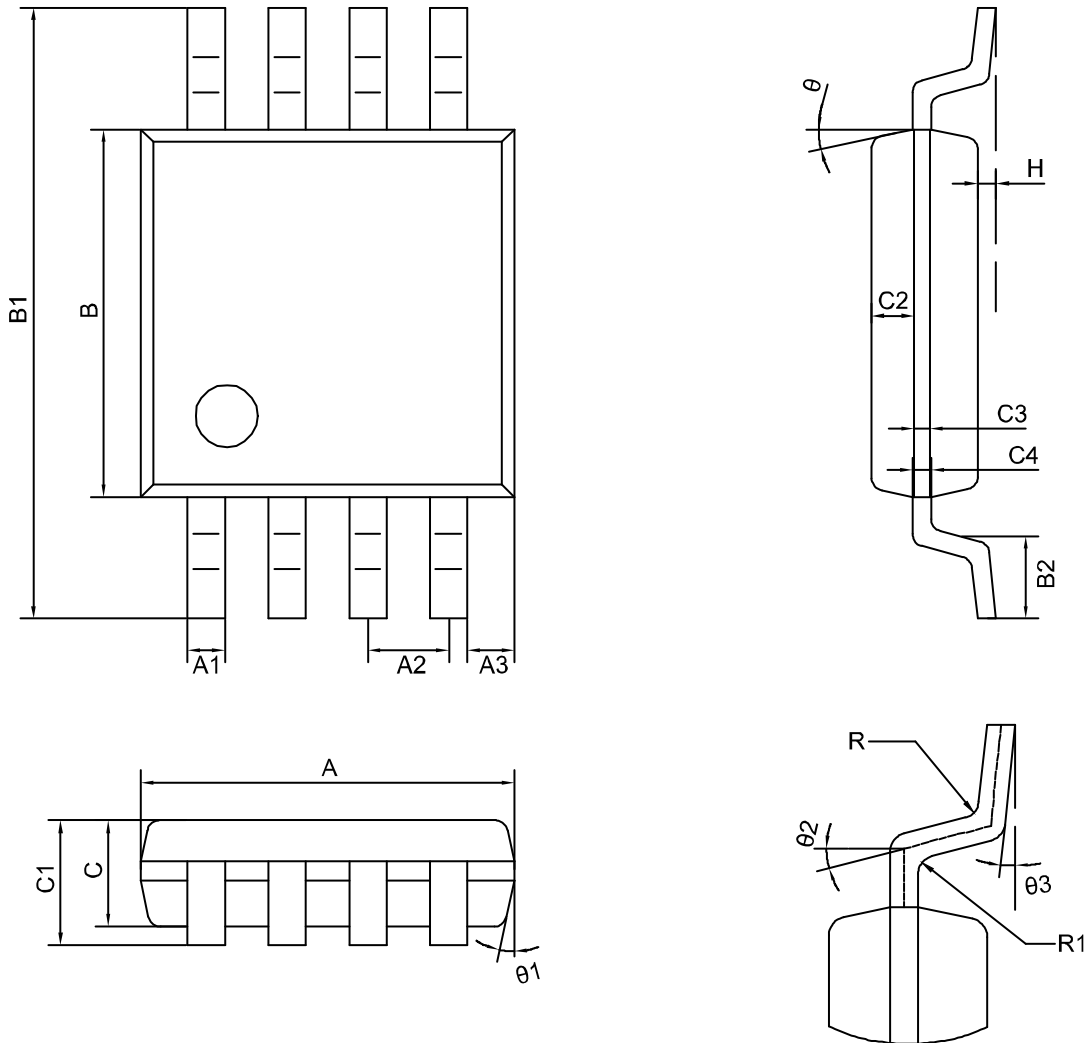
July. 2023

Rev 2.00

www.whxy.com

CW24C32A/64A/128A

MSOP8



符号	Dimension (mm)		符号	Dimension (mm)	
	Min	Max		Min	Max
A	2.90	3.10	C3	0.152	
A1	0.28	0.35	C4	0.15	0.23
A2	0.65TYP		H	0.00	0.09
A3	0.375TYP		θ	12° TYP4	
B	2.90	3.10	θ1	12° TYP4	
B1	4.70	5.10	θ2	14° TYP	
B2	0.45	0.75	θ3	0° ~ 6°	
C	0.75	0.95	R	0.15TYP	
C1	-	1.10	R1	0.15TYP	
C2	0.328TYP		-	-	



July, 2023

Rev 2.00

www.whxy.com